

1

2

3

4

5

A

A

B

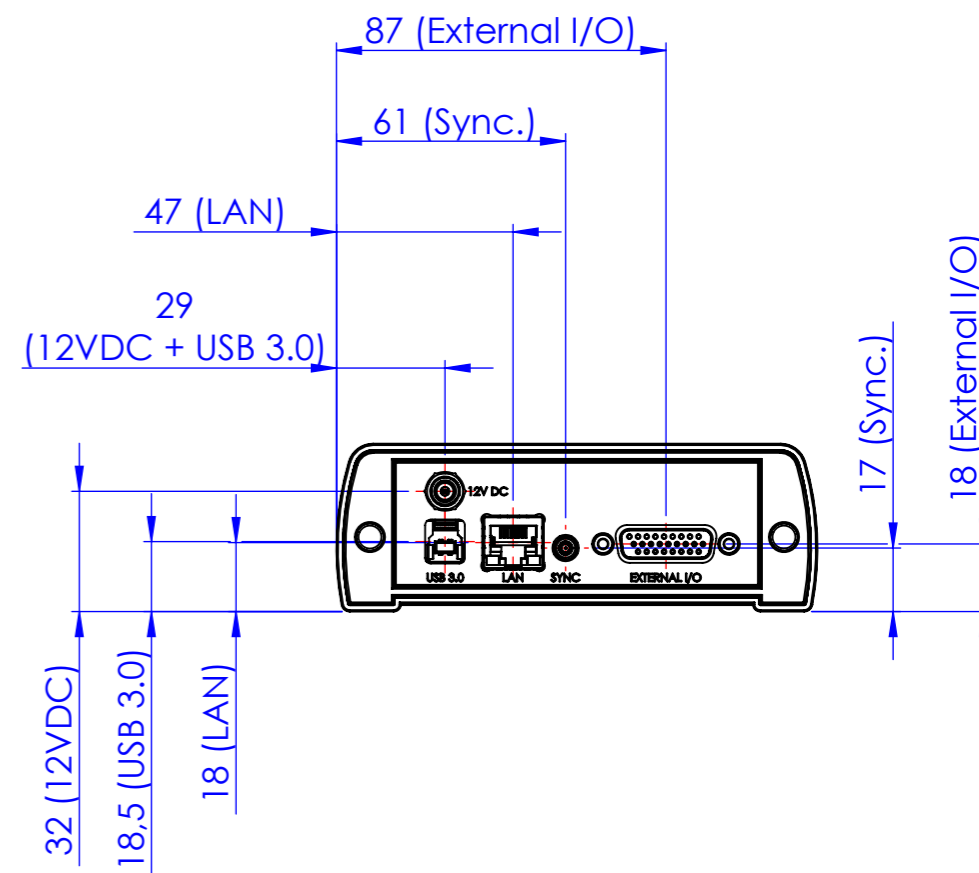
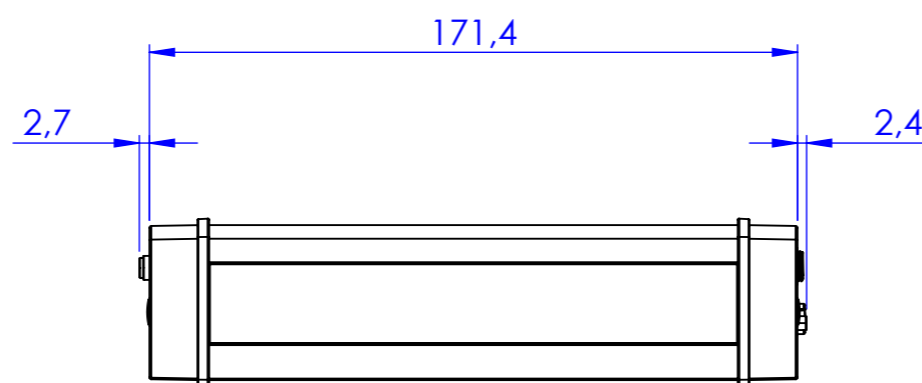
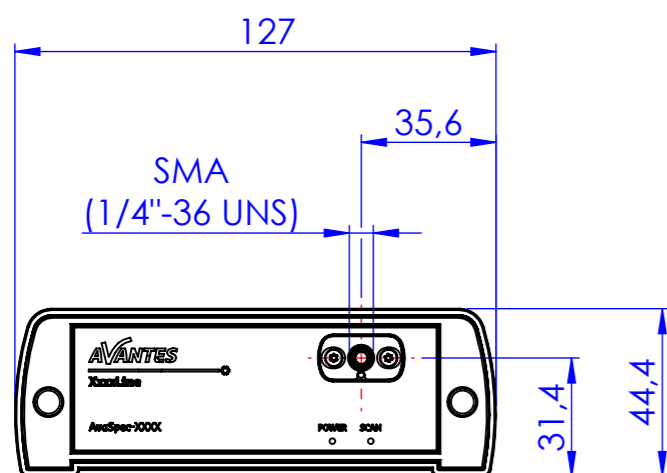
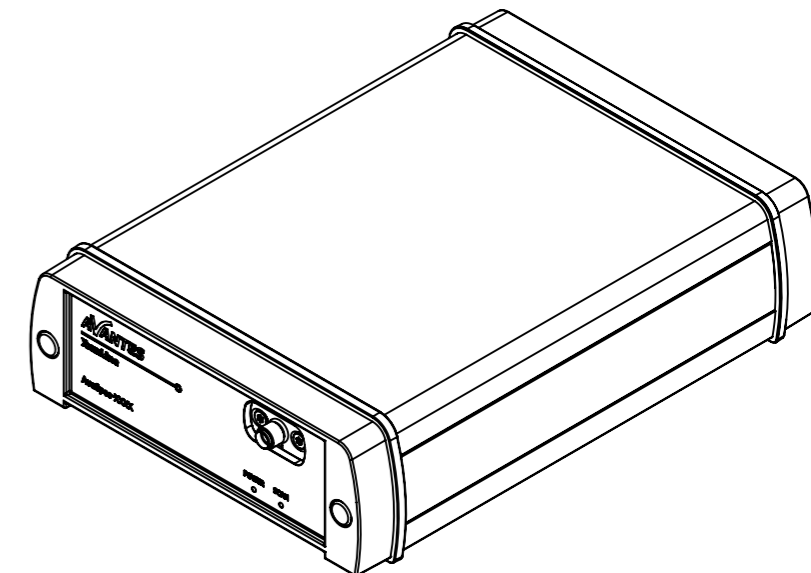
B

C

C

D

D



Description <b>GENERIC AVASPEC-ULS-EVO-RS          WITH REPLACEABLE SLIT</b> Technical Drawing		American projection Dimensions in mm	Form and position Unless Specified Otherwise According to: NEN-ISO R 1101 and 2768 mK
all rights strictly reserved reproduction or issue to third parties in any form whatever is not permitted without written authority from the proprietor		General Roughness Ra in um ISO 1302	General tolerances Linear: ±0.5    Angle: ±1°
Oude Apeldoornseweg 28 NL-7333 NS Apeldoorn The Netherlands +31 313 670170 www.avantes.com	 MEMBER OF THE NYNOMIC GROUP	Size <b>A3</b>	Drawing number <b>AVASPEC-ULSXXXX-EVO-RS-TD</b>
Scale 1:2	Sheet 1 of 1	Status Released	Rev. <b>A02</b>

1

2

3

4

5

Print Date: 13/06/2022